

1. Product

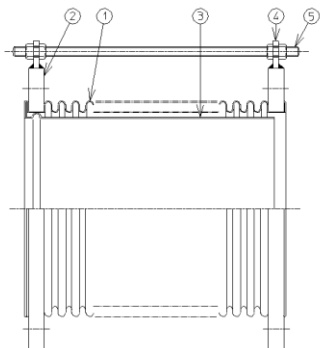
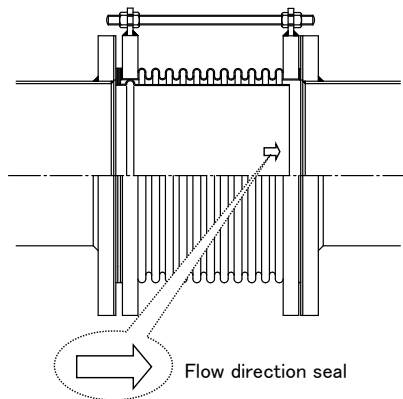


Table1 Parts List

No.	Parts Name	Material
1	Bellows	Stainless steel 304
2	Flange	Carbon steel
3	Inner pipe	Stainless steel 304
4	Holder	Carbon steel
5	Setting bolt	Carbon steel

- Please confirm the diameter is correct.
- Please confirm there is no damage of sealing surface.
- Please confirm there is no damage of outside of bellows.

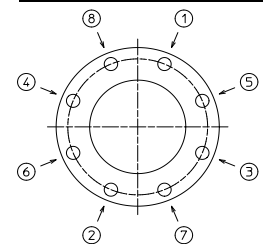
2. Installation



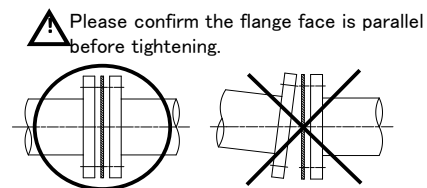
- ① Please check the direction of the product to be same direction of fluid as the flow direction seal.
The flow direction seal is put on the inside of the inner pipe.
- ② Please install the expansion joint so that the inner pipe does not slip off from the sealing surface.

3. Tightening of the bolts

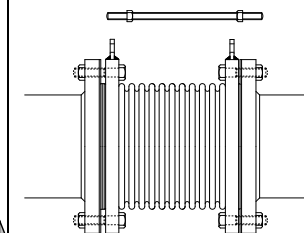
The order of bolt tightening.



- ① Please tighten the bolts diagonally and equally.
- ② Please tighten the opposite side of flange with same way.
- ③ When you use the bolt and nut made of stainless steel, please paste lubrication on it.



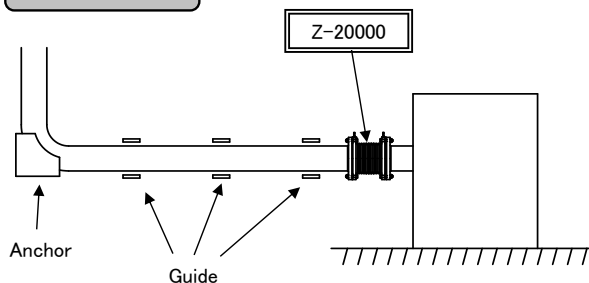
4. Detaching of the setting bolts



After tightening bolts for flange, please dismount the set bolt.

※ The expansion joint does not work sufficient function when set bolt is still kept in the product.

Completion



—Fixation and support of the piping—

- ① Please install the expansion joint so that the piping weight does not influence to the product.
- ② Please prepare the guide so that the piping does not swing sideways.
- ③ Please install the expansion joint so that the distance from the anchor to the product may be within 4 times of the pipe diameter.
- ④ Please design the anchor to endure thrust due to internal pressure and the reaction force of the bellows.

NOTES

- 1) Please do not hit a product at the time of the transportation and the installation.
- 2) Please carry out the welding work of the piping before the attachment of our product. If you have to carry out the welding work after attaching the piping, please earth the welding properly, also put a protective cover around our product so that the welding current does not flow into the piping system.
- 3) Please do not elongate and compress the product at the time of the installation.