

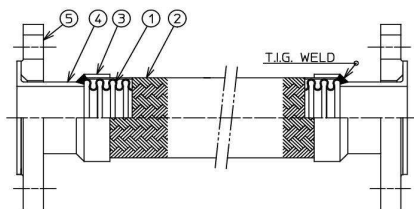
Installation Manual for the Flexible Joint (Flange Connection)

ZH-E



Installation Procedure

1. Before installation



The shape of 125A and up.

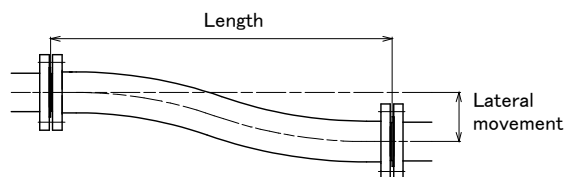
Table1 Parts List

No.	Name	Material
1	Bellows	Stainless steel 316L
2	Braid	Stainless steel 304
3	Braid cover	Stainless steel 304
4	Lap joint	Stainless steel 304
5	Loose flange	Carbon Steel

- Please confirm whether the diameter is correct.
- Please confirm whether there is any damage of sealing surface.

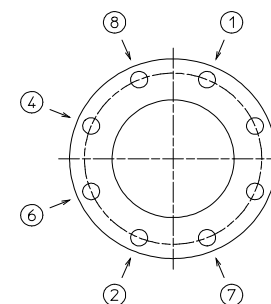
2. Installation

- ① Please install between the piping flanges not to move the gasket from the sealing surface and so as not to damage the sealing surface.
※The whole surface gasket is recommended. (not ring gasket.)
- ② Please insert the set bolt toward the piping side from the product side.
- ③ Please confirm whether the lateral movement of piping is within the allowable range.



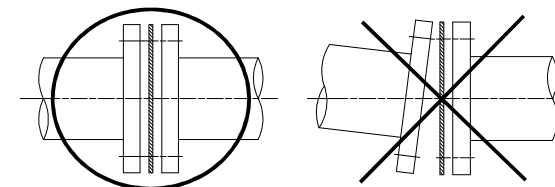
3. Tightening of the bolts

The order of bolt tightening.

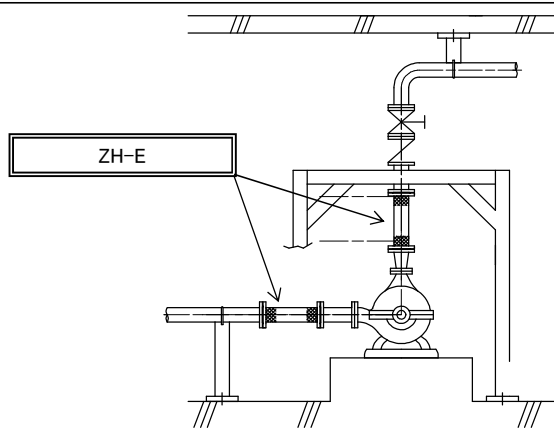


- ① Please tighten the bolts diagonally and equally.
- ② Please tighten the opposite side of flange with same way.
- ③ When you use the bolt and nut made of stainless steel, please apply lubrication.

⚠ Please confirm whether the flange face is parallel before tightening.



Completion



NOTES

- 1) Where the water hammer generate in the piping system, the flexible joint might be damaged. Please do appropriate impact prevention measures.
- 2) Please carry out the welding work of the piping before the attachment of our product. If you have to carry out the welding work after attaching the piping, please earth the welding properly, also put a protective cover around our product so that the welding current does not flow into the piping system.
- 3) Please select the piping diameter not exceed 3m/s of flow velocity. (inside diameter base)
- 4) Cannot use it for a fluid with the causticity for stainless steel.